

## Application

Designed to offer protection for oil-tight pushbuttons, switches, and pilot lights from dust, water, dirt and oil. For installation information, consult our installation manual at [www.saginawcontrol.com](http://www.saginawcontrol.com).

## Construction

- 0.063" carbon steel.
- Continuously welded seams.
- Captivated cover screws thread into sealed wells.
- Four-way pushbutton holes accept all brands of oil-tight pushbuttons, switches and pilot lights. Hole diameter is 0.87" (22.5 mm).
- Immediate removal of cover is permitted.
- Pour in place oil and water resistant gasket.
- Welded mounting provision top and bottom of back.

## Finish

ANSI-61 gray powder coated inside and out.

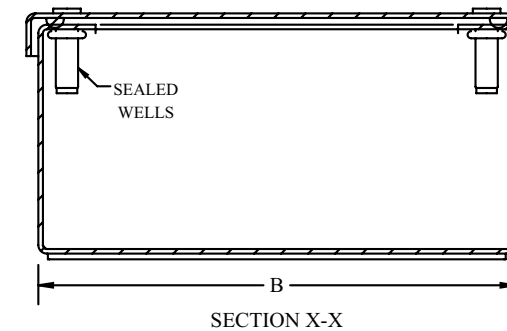
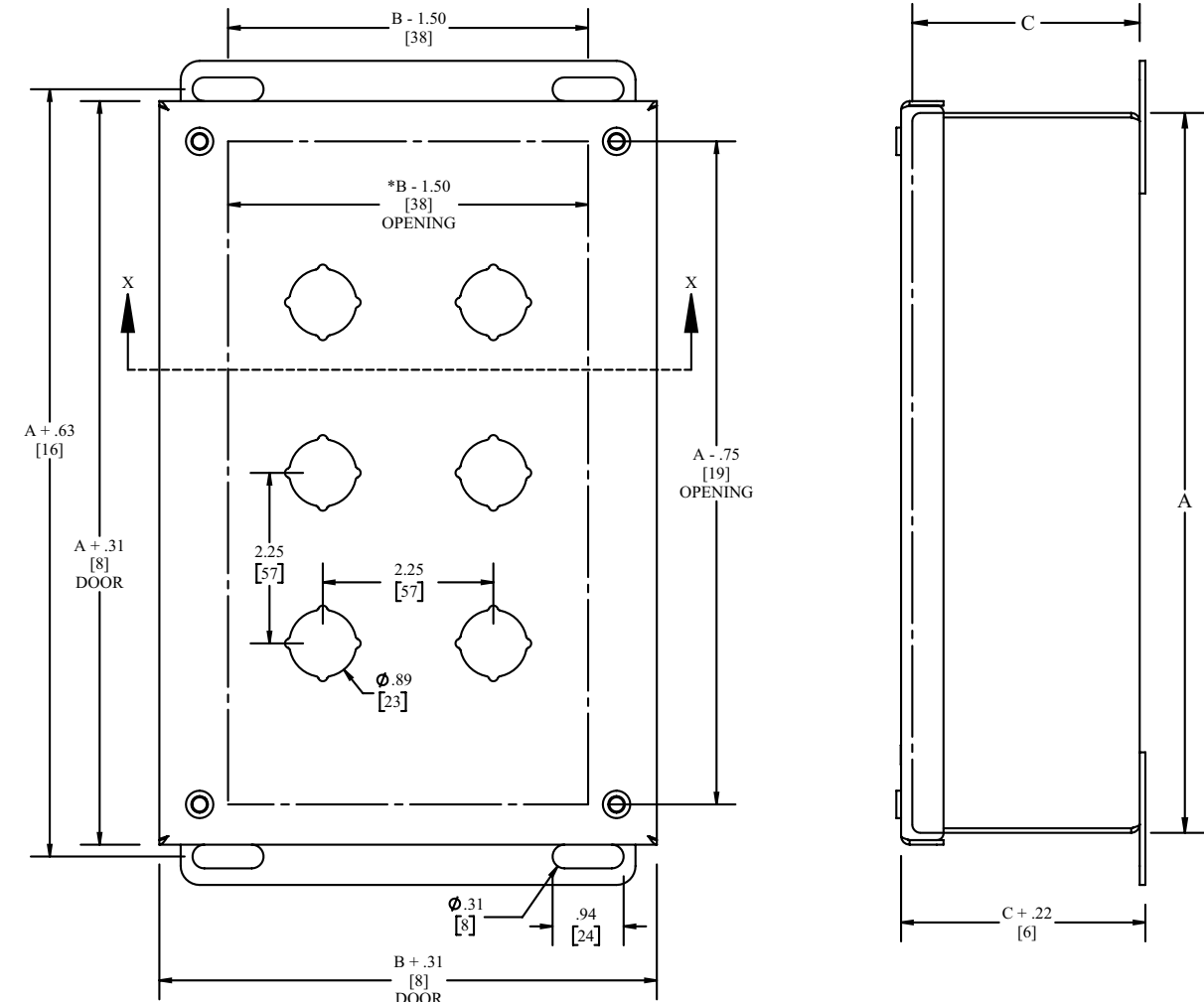
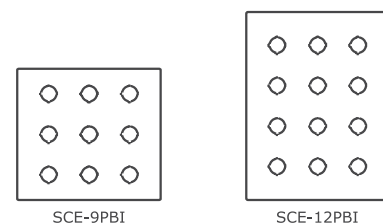
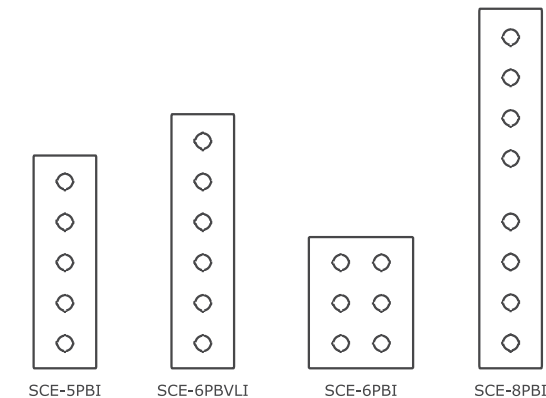
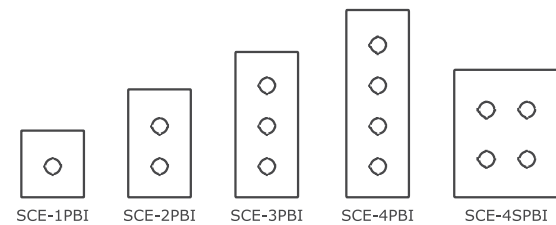
## IS2 Industry Standards

NEMA Type 4, 12 & Type 13  
UL Listed Type 4 & 12  
CSA Type 4 & 12  
IEC 60529 IP66



Enclosure Product Code A1

Catalog No.	Height (A)	Width (B)	Depth (C)	Industry Standard
<a href="#">SCE-1PBI</a>	3.50	3.25	2.75	IS2
<a href="#">SCE-2PBI</a>	5.75	3.25	2.75	IS2
<a href="#">SCE-3PBI</a>	8.00	3.25	2.75	IS2
<a href="#">SCE-4PBI</a>	10.25	3.25	2.75	IS2
<a href="#">SCE-4SPBI</a>	7.25	6.25	3.00	IS2
<a href="#">SCE-5PBI</a>	12.50	3.25	2.75	IS2
<a href="#">SCE-6PBI</a>	9.50	6.25	3.00	IS2
<a href="#">SCE-6PBVLI</a>	14.75	3.25	2.75	IS2
<a href="#">SCE-8PBI</a>	20.25	3.25	2.75	IS2
<a href="#">SCE-9PBI</a>	9.50	8.50	3.00	IS2
<a href="#">SCE-12PBI</a>	11.75	8.50	3.00	IS2



NOTE:  
\*B - .50 [13] WHEN ONE COLUMN OF PUSHBUTTONS